

**NOTICE**

The purchaser agrees when purchasing this plan (the "Plan"); the purchaser has acquired the right to build or construct the project or project set out in the Plan for personal use only and not for any commercial use. 2) reproduction of the Plan in whole or in part by any means whatsoever is strictly prohibited. The Handyperson shall not be liable for any willful misuse or negligent use of this plan, the Project or any tools used to construct the Project or for any damage or damage resulting therefrom.

**Note: Read all directions before beginning**

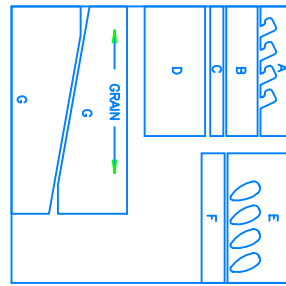
Carpenters Glue should be used to Reinforce all joints. Sand, finish, all screws Set to Dimensions in brackets denote millimeters

**Directions**

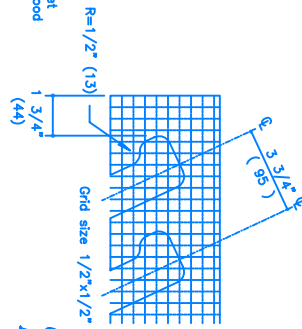
- 1) Lay out your material, as outlined in the suggested material layout diagram (Fig. 1). Draw out all parts exactly as illustrated, in cutting diagram (Fig. 2), including the letter designations, in pencil. Ensure to leave a small space between cut lines to allow for the width of the saw. Before cutting, double check all measurements to ensure they are correct. Always cut on waste side of the line. Wipe off any excess glue at each stage of the project. To cut butt and barrel pieces A and E, lay out the grid as shown (Fig. 3) and free hand transfer to a thin piece of paper. Cut the paper, and lay onto the pieces. Trace around the cuts and cut with a finger. The recommendation that you apply masking tape around the edges of the cutouts before cutting to reduce splintering.
- 2) Prefill all nail holes if solid stock is used rather than plywood. Stand pieces D and E on their back edges, lay a bead of glue along their edges, and nail on piece F with 1 1/2" finishing nails. Measure 1 1/2" from the top of B on both sides of the back and draw a line across. Measure 1/4" from the bottom of B on both sides of the back and draw a line across. Lay a bead of glue along the back of D and E, and lay on piece B with the marks flush with the top edges of D and E. Nail on piece B with 1 1/2" finishing nails. By nailing 3/8" below the line, you should not miss piece D or E. Wipe off excess glue, ensure assembly is square, and set aside for glue to set for one hour. Glue and nail piece C to A with 1 1/2" finishing nails, ensuring tensuring that the edge of C is 1/4" above the top of A.
- 3) Stand assembly BDEF on a flat surface. Lay a bead of glue along the outside edges and attach the two pieces G with 2" finishing nails. Note: if you mount pieces G on the outside with a light pencil line. 3. 5/8" from the bottom, you can nail on this line and not miss piece E. Glue the edges of the CA assembly and nail through G into C as shown (Fig 4) with 1 1/2" finishing nails. Ensure the assembly is 1/4" below the top edge of G.
- 4) Set all nails, fill holes with wood putty. Edge tape should be applied to edges of plywood if project is to be stained. Sand project. Paint or stain and varnish project. It is a good idea to install two eye bolts in pieces G so that you can run a chain between them, and through your trigger guards, to lock up your weapons.

**On Materials:**

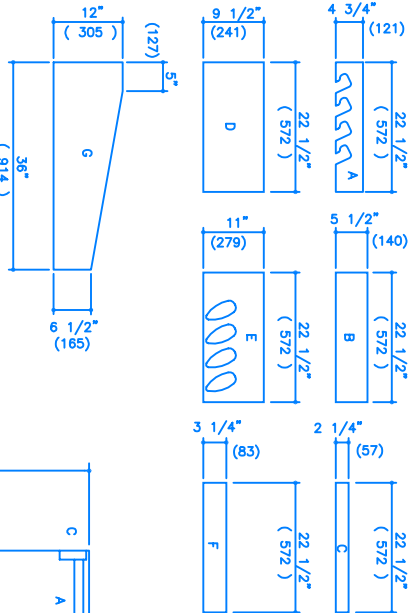
This project, if it is to be painted, may be made with a scrap piece of good both sides plywood. If you will be staining and varnishing, adding edgetape to the project is recommended. All nail counts are approximate.



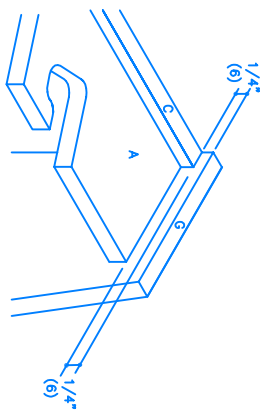
**MATERIALS LAYOUT**  
FIGURE 1



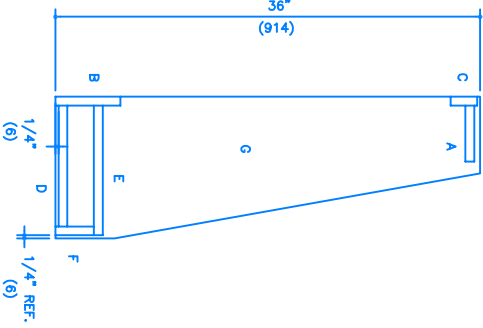
**GRIDS**  
FIGURE 3



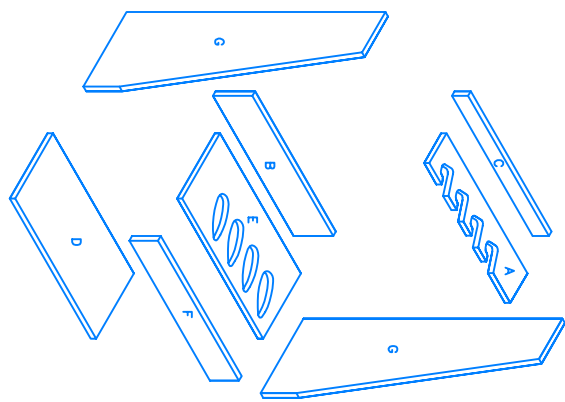
**CUTTING DIAGRAM**  
FIGURE 2



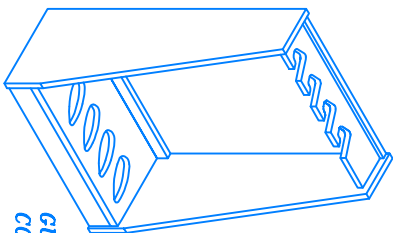
**TOP EDGES DETAIL**  
FIGURE 4



**CROSS SECTION**



**EXPLODED VIEW**



**GUN RACK COMPLETED PROJECT**

**MATERIALS LIST**

Approx. 1/2 lb. 1 1/2" finishing nails  
One 4x4 sheet 3/4" plywood  
Paint or stain and varnish  
Two eye bolts & 26" chain

**MATERIALS LIST**

Sandpaper  
Approx. 1/2 sheet 2" finishing nails  
20" edge tape (optional)

**Tools**

Hammer  
Table Saw & Hand Saw  
Pencil & Measuring tape  
Nail set